



TECHNICAL DATASHEET

TAB MAGIC M55H

ORDER INFORMATION

TAB ID
189058

Short Code
M55H

DIN Marking
55510 SMF

EAN Code
3838807026681

Quantity per EU/CNT pallet
72/100 pcs

TECHNOLOGY

Primary Function
Engine Start

Battery Technology
Flooded

Grid Type (pos/neg)
Expanded/Concasted

Grid Alloy (pos/neg)
Ca/Ca

Separator
PE

Electrolyte (g/cm³)
1,28

TECHNICAL INFORMATION

Voltage (V)
12

Capacity C20 (Ah)
55

CCA -18°C EN (A)
560

RC (min)
90

LxWxH (mm)
207x175x190

Total Weight (kg)
12.8

BOX DESIGN

Box Type
L1

Cover Type
SMF

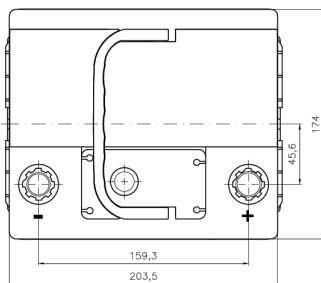
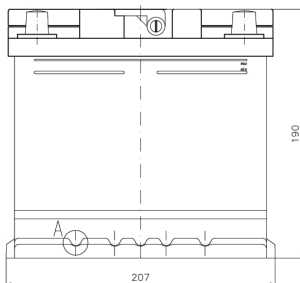
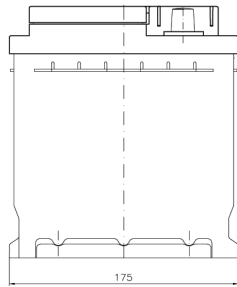
Colour
Black

Layout
0

BHD
B13

Terminal
1

DRAWING



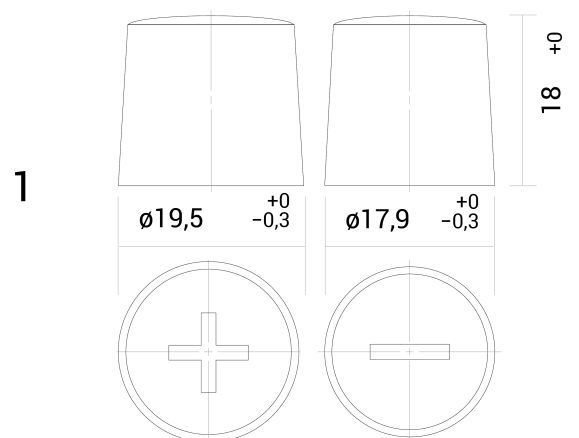
BHD



LAYOUT



TERMINAL



TECHNICAL DATASHEET

TAB MAGIC M55H