



## TECHNICAL DATASHEET

### TAB POLAR S35JP

#### ORDER INFORMATION

TAB ID  
**246735**

Short Code  
**S35JP**

DIN Marking  
**53521 SMF**

EAN Code  
**3838807030305**

Quantity per EU/CNT pallet  
**96/128 pcs**

#### TECHNOLOGY

Primary Function  
**Engine Start**

Battery Technology  
**Flooded**

Grid Type (pos/neg)  
**Expanded/Concasted**

Grid Alloy (pos/neg)  
**Ca/Ca**

Separator  
**PE**

Electrolyte (g/cm<sup>3</sup>)  
**1,28**

#### TECHNICAL INFORMATION

Voltage (V)  
**12**

Capacity C20 (Ah)  
**35**

CCA -18°C EN (A)  
**270**

RC (min)  
**53**

LxWxH (mm)  
**196x134x202/223**

Total Weight (kg)  
**9.4**

#### BOX DESIGN

Box Type  
**B19**

Cover Type  
**SMF**

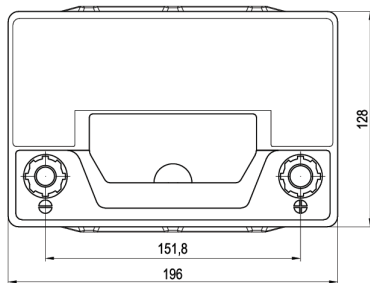
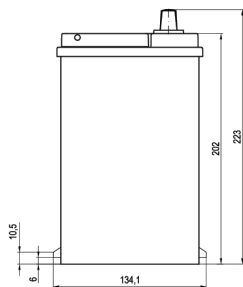
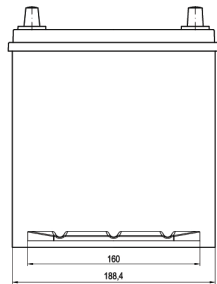
Colour  
**Black**

Layout  
**0**

BHD  
**B01**

Terminal  
**3**

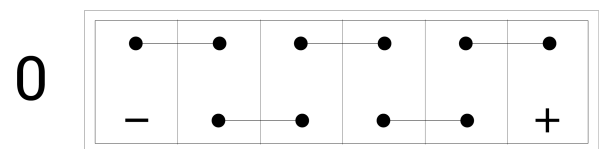
## DRAWING



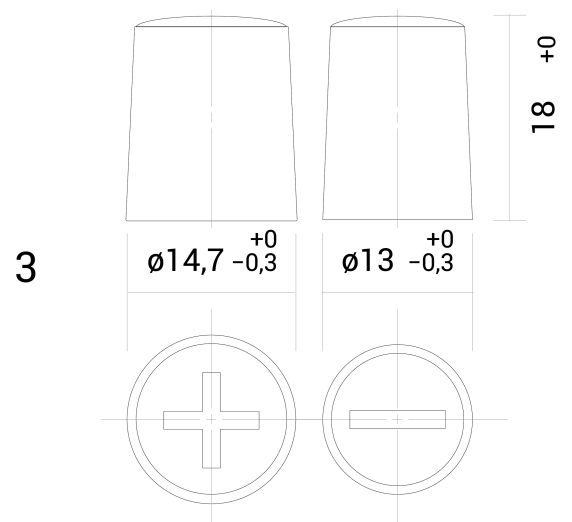
## BHD



## LAYOUT



## TERMINAL



## TECHNICAL DATASHEET

# TAB POLAR S35JP