



TECHNICAL DATASHEET

TAB MAGIC TRUCK TM14

ORDER INFORMATION

TAB ID
296612

Short Code
TM14

DIN Marking
64030 SMF

EAN Code
3838807036734

Quantity per EU/CNT pallet
24/35 pcs

TECHNOLOGY

Primary Function
Engine Start

Battery Technology
Flooded

Grid Type (pos/neg)
Casted/Concasted

Grid Alloy (pos/neg)
Ca/Ca

Separator
PE

Electrolyte (g/cm³)
1,28

TECHNICAL INFORMATION

Voltage (V)
12

Capacity C20 (Ah)
140

CCA -18°C EN (A)
850

RC (min)
269

LxWxH (mm)
507x188x200/228

Total Weight (kg)
35.6

BOX DESIGN

Box Type
A

Cover Type
SMF

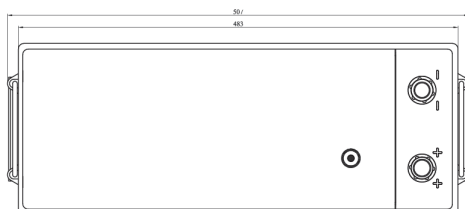
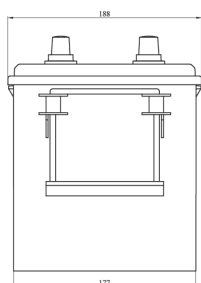
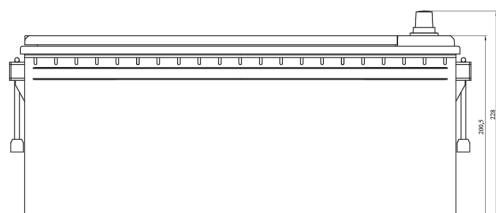
Colour
Black

Layout
3

BHD
B0

Terminal
1

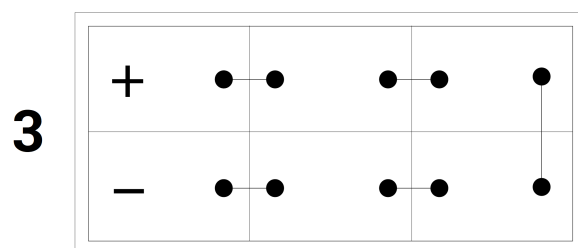
DRAWING



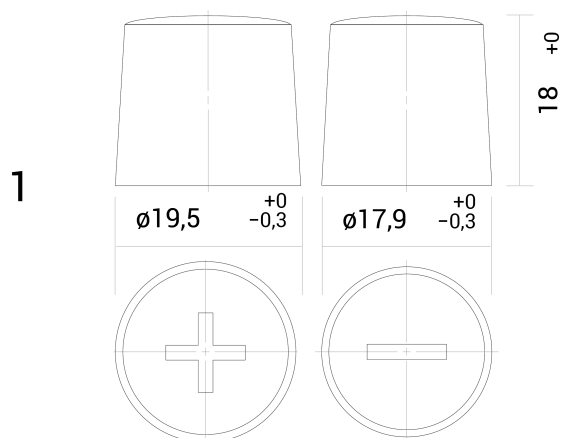
BHD



LAYOUT



TERMINAL



TECHNICAL DATASHEET

TAB MAGIC TRUCK TM14