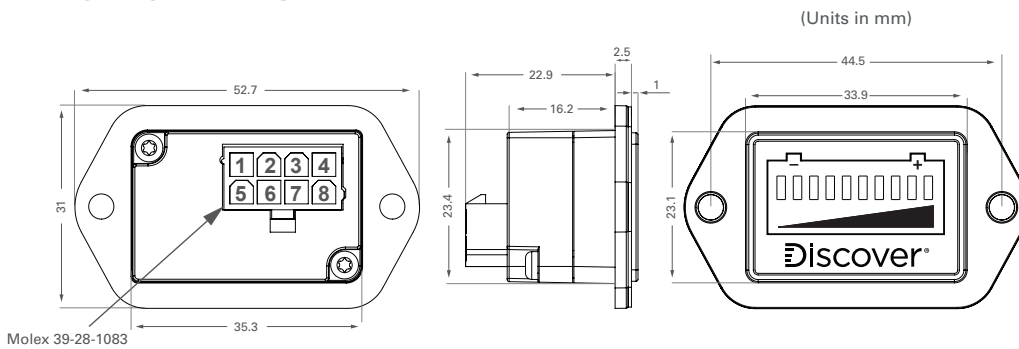


Discover Lithium Battery Fuel Gauge and SOC Indicator TYPE B Battery Discharge Indicator (CAN Bus) 950-0034

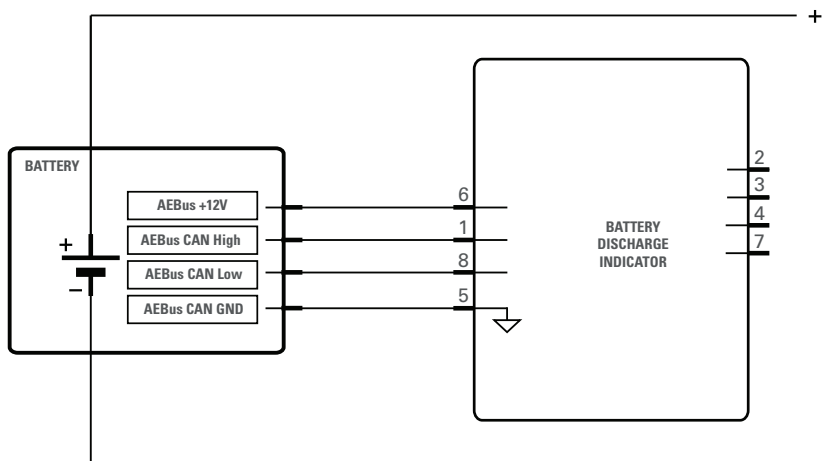
The Type-B Battery Discharge Indicator (BDI) communicates with Discover Lithium batteries over CAN Bus and displays state-of-charge in incremental LED segments. The TYPE-B BDI will provide aggregate SoC for up to 20 Discover Lithium Batteries. Rated IP 30, with an installed frontal rating of IP 55.

The TYPE-B BDI is also available in a kit with a 1.8M LYNK Network Cable (950-0039) for use with LITHIUM PROFESSIONAL batteries.

BDI MECHANICAL DRAWING



ELECTRICAL DRAWINGS



BDI PIN ASSIGNMENTS

PIN	Function
1	LYNK Bus (AEBus) CAN High
5	LYNK Bus (AEBus) CAN GND
6	LYNK Bus (AEBus) Network CAN +12V
8	LYNK Bus (AEBus) CAN Low

COMPATIBLE BATTERIES

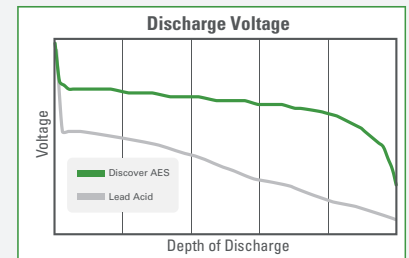
AES LiFePO₄ Batteries

12-48-6650	14-36-3000
12-36-6700	14-48-3000
14-24-2800	

AES LiFePO₄ Batteries

DLP-GC2-12V	DLP-GC2-36V
DLP-GC2-24V	DLP-GC2-48V

DISCOVER LITHIUM VS. LEAD-ACID BATTERY DISCHARGE CURVE



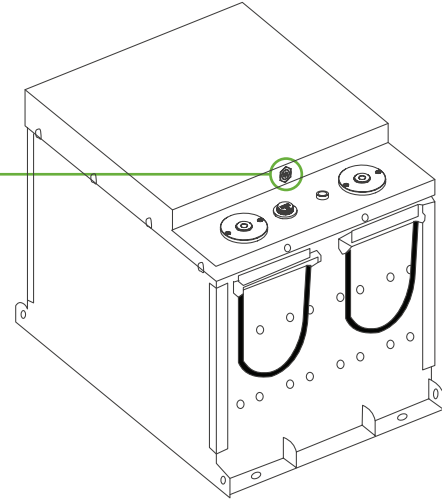
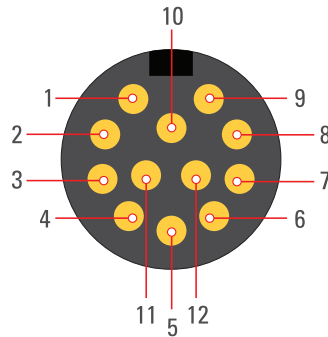
Discover Lithium batteries have a flat and stable discharge curve, which can not be monitored accurately by a voltage-based SOC indicator. For accurate fuel gauge and SoC, a Discover Battery Discharge Indicator is necessary.

BATTERY PINOUT DIAGRAMS

PINOUT DIAGRAM FOR CONNECTION TO AES LiFePO₄ BATTERIES

IEC M12 A-Coding 12 Pin

Pin 3	LYNK Bus (AEBus) CAN GND
Pin 4	LYNK Bus (AEBus) CAN High
Pin 5	LYNK Bus (AEBus) CAN Low
Pin 12	LYNK Bus (AEBus) CAN +12V *



* Not all models are equipped with an internal 12V power supply.
Discover 950-0019 12V Power Over LYNK Bus (AEBus) accessory is available separately.

PINOUT DIAGRAM FOR CONNECTION TO LITHIUM PROFESSIONAL BATTERIES

IEC M12 A-Coding 5 Pin

PIN Number	Function
1	ON/OFF Switch
2	LYNK Bus CAN L
3	LYNK Bus CAN H
4	LYNK Bus 12V +
5	LYNK Bus GND

