



TECHNICAL DATASHEET

TAB POLAR TRUCK TR13MR

ORDER INFORMATION

TAB ID
944912

Short Code
TR13MR

DIN Marking
63545

EAN Code
3838807036680

Quantity per EU/CNT pallet
24/40 pcs

TECHNOLOGY

Primary Function
Engine Start

Battery Technology
Flooded

Grid Type (pos/neg)
Casted/Concasted

Grid Alloy (pos/neg)
Sb/Ca

Separator
PE

Electrolyte (g/cm³)
1,28

TECHNICAL INFORMATION

Voltage (V)
12

Capacity C20 (Ah)
135

CCA -18°C EN (A)
850

RC (min)
258

LxWxH (mm)
509x175x182/208

Total Weight (kg)
33.3

BOX DESIGN

Box Type
MAC110

Cover Type
Flat

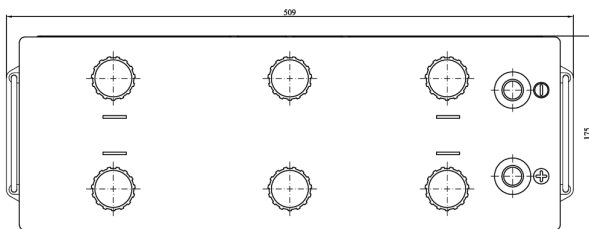
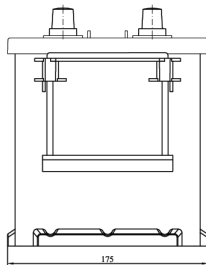
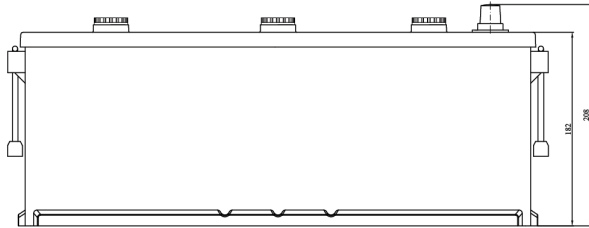
Colour
Black

Layout
4

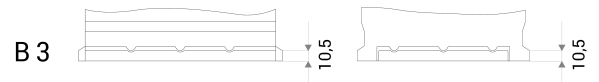
BHD
B3

Terminal
1

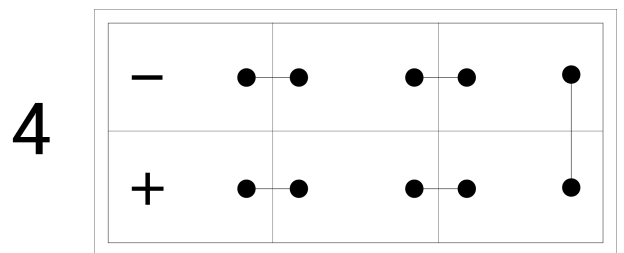
DRAWING



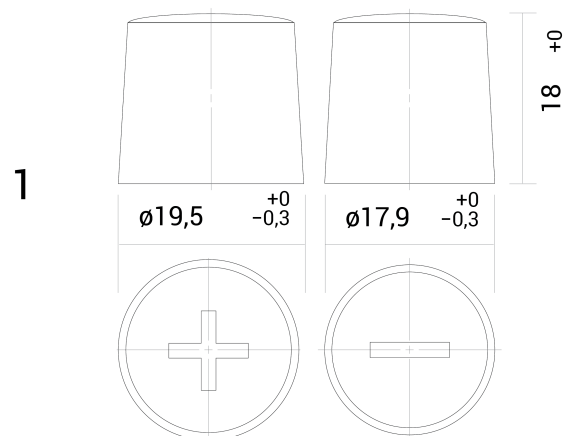
BHD



LAYOUT



TERMINAL



TECHNICAL DATASHEET

TAB POLAR TRUCK TR13MR

TAB d.d, Polena 6, SI-2392 Mežica, Slovenia, www.tab.si